

**MSUD VALVE PLUG FORM A 18MM**

PUR 5X0.75 YELLOW, 10m

MSUD

Form A (18 mm)

24 V DC  $\pm 25\%$

LED (red/green)

for pressure switches

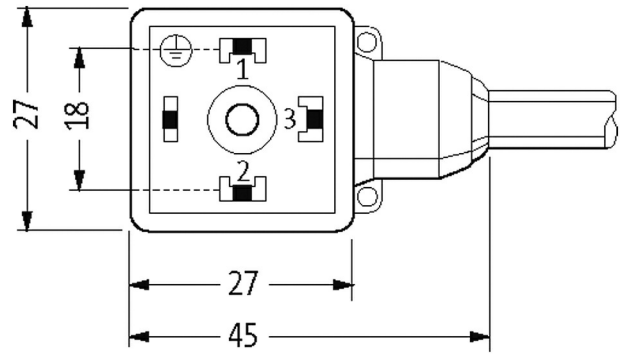
Further cable lengths on request.

Plastic housings with good resistance against chemicals and oils.

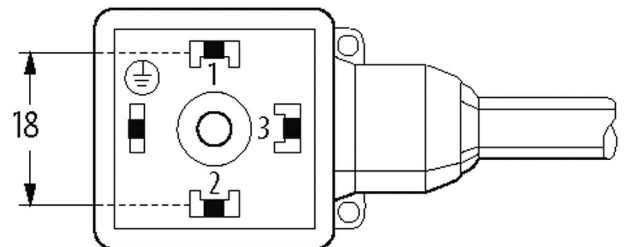
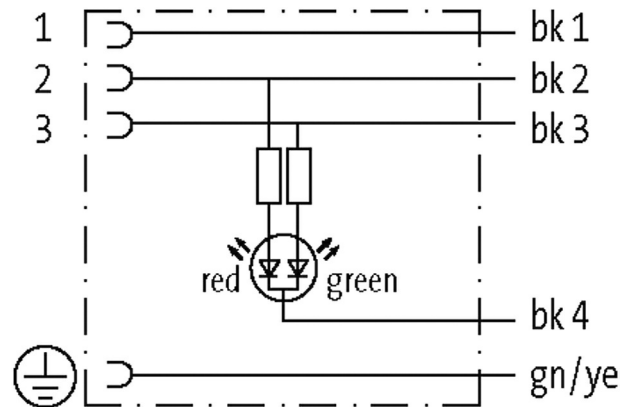
The resistance to aggressive media should be individually tested for your application. Further details on request.

**Illustration**

stay connected



Height: 30 mm



Product may differ from Image

**Approvals**

cCSAus

\* only for products with UL/CSA approved cable

**Form**

Form

18121

| Cables                             |  |
|------------------------------------|--|
| No./diameter of wires              | 5 × 0.75 mm <sup>2</sup>   |
| Wire isolation                     | PVC (bk num, gnye)   |
| C-track properties                 | 2 Mio.   |
| Material (jacket)                  | PUR/PVC (UL/CSA)   |
| Outer Ø                            | 7.0 mm ±5%   |
| Bend radius (moving)               | 15 × outer Ø   |
| Temperature range (fixed)          | -30...+80 °C   |
| Temperature range (mobile)         | -5...+80 °C  |
| Cable identification               | 028  |
| Cable Type                         | 2 (PUR/PVC)  |
| Approval (cable)                   | UL (AWM-Style 20549/1731), CSA; CE conform   |
| Cable weight [g/m]                 | 92,40  |
| Material (wire)                    | Cu wire, bare  |
| Resistor (core)                    | max. 26 Ω/km (20 °C)   |
| Single wire Ø (core)               | 0.15 mm  |
| Construction (core)                | 42 × 0.15 mm (multi-strand wire class 6)   |
| Diameter (core)                    | 5 × 0.75 mm <sup>2</sup>   |
| AWG                                | similar to AWG 18  |
| Material (wire isolation)          | PVC  |
| Material property (wire isolation) | CFC-, cadmium-, silicone- and lead-free  |
| Shore hardness (wire isolation)    | 43 ±5 D  |
| Wire-Ø incl. isolation             | 1.8 mm ±5%   |
| Color/numbering of wires           | bk numbered, gnye longitudinally striped   |
| Stranding combination              | 5 wires twisted around central filler  |
| Shield                             | no   |
| Material (jacket)                  | PUR/PVC  |
| Material property (jacket)         | CFC-, halogen-, cadmium-, silicone- and lead-free, matt, low-adhesion, machine easy to process, abrasion-resistant, hydrolysis and microbial resistant |
| Shore hardness (jacket)            | 80 ±5 A (PVC-under jacket); 85 ±5 A (PUR-jacket)   |
| Outer-Ø (jacket)                   | 7.0 mm ±5%   |
| Color (jacket)                     | yellow   |
| chemical resistance                | good resistance to oil, gasoline and chemicals   |
| Nominal voltage                    | UL 300 V AC  |
| Test voltage                       | 2000 V AC  |
| Current load capacity              | to DIN VDE 0298-4  |
| Temperature range (fixed)          | -30...+80 °C   |
| Temperature range (mobile)         | -5...+80 °C  |
| Bend radius (fixed)                | 10 × outer Ø   |
| Bend radius (moving)               | 15 × outer Ø   |
| No. of bending cycles (C-track)    | max. 2 Mio. (25 °C)  |
| Traversing distance (C-track)      | max. 5 m (horizontal)  |
| Travel speed (C-track)             | max. 3.3 m/s   |
| Acceleration (C-track)             | max. 5 m/s <sup>2</sup>  |
| Jacket Color                       | yellow   |
| Technical Data                     |  |
| Operating voltage                  | 24 V DC ±25%   |
| Operating current per contact      | max. 4 A   |
| Rated surge voltage                | 0.8 kV   |
| Material group                     | IEC 60664-1, category I  |
| Locking of ports                   | M3 (recommended torque 0.4 Nm)   |

|            |  |
|------------|--|
| Protection | IP67 inserted and tightened (EN 60529) |
| Material   | PBT                                    |
| Housing    | Black plastic (gray on request)        |

**General data**

|                   |  |
|-------------------|--|
| Pollution Degree  | 3  |
| Temperature range | -25...+85 °C, depending on cable quality |

**Commercial data**

|                       |               |
|-----------------------|---------------|
| country of origin     | CZ            |
| customs tariff number | 85444290      |
| EAN                   | 4048879190732 |
| eClass                | 27279218      |
| Packaging unit        | 1             |